

# LWHP18 Compression Load Washer

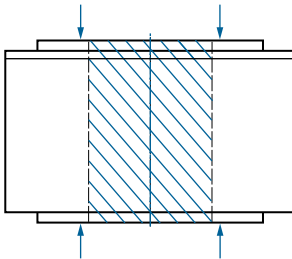


- Capacities from 0.5 kN to 5,000 kN
- IP67 Environmental Protection
- Stainless Steel Construction

## OPTIONS

- Extended Temperature Range
- Internal Shunt Resistor – 100% output
- Standardized Output

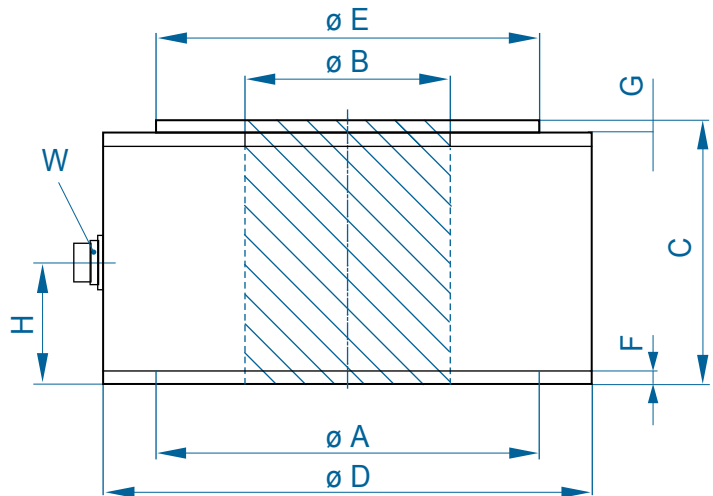
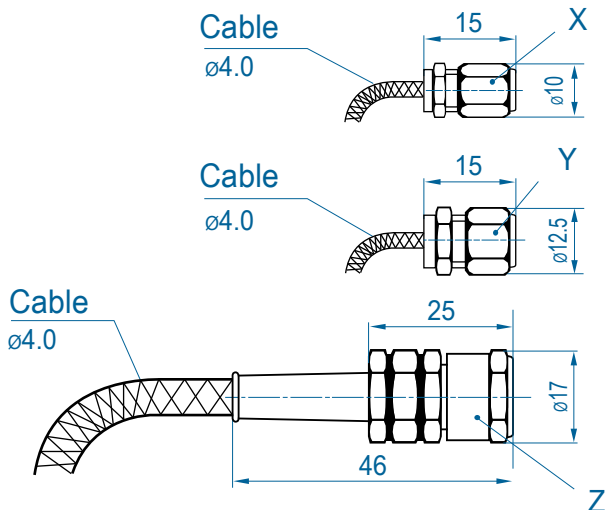
## LOADING DIAGRAM



## SPECIFICATIONS

<b>ACCURACY – (MAX ERROR)</b>	
Nonlinearity – %FS	±0.5
Hysteresis – %FS	±0.5
Non-repeatability – %RO	±0.1
Creep, in 30 min – %	±0.1
<b>TEMPERATURE</b>	
Effect on Zero – %RO/°C	±0.01
Effect on Output – %RO/°C	±0.01
Compensated Range – °C	-10 to +70
Operating Range – °C	-30 to +80
<b>ELECTRICAL</b>	
Output – mV/V	1 ± 20%
Excitation Voltage – VDC	2 - 12
Bridge Resistance – Ohm	350
Electrical Connection	3-meter cable
<b>MECHANICAL</b>	
Safe Overload – %RO	150
Deflection at Rated Capacity – mm	< 0.1
Cyclic Load Rating – %RO	±70 Peak
IP Rating	IP67
Material	Stainless Steel

## DIMENSIONS



All dimensions in mm

# LWHP18 Compression Load Washer

## DIMENSIONS (continued)

Measuring Range [kN]	A	B	C	D	E	F	G	H	W	X	Y	Z
5	10	5	30	30	10	2	2	15	–	X	–	–
10	14	8	30	30	14	2	2	15	–	–	X	–
20	22	15	30	40	22	2	2	15	–	–	X	–
50	28	15	30	40	28	2	2	15	–	–	X	–
100	35	20	40	55	35	2	2	20	–	–	–	X
200	47.5	25	40	64	48	2.5	2.5	20	–	–	–	X
500	60	30	50	80	60	4	3	26	X	–	–	–
1000	88	68	100	129	88	4	5	46.5	X	–	–	–
2000	105.6	68	100	160	106	5	5	46	X	–	–	–
3000	125	68	100	160	124.6	5	5	47	X	–	–	–
5000	220	100	120	270	220	5	5	60	X	–	–	–