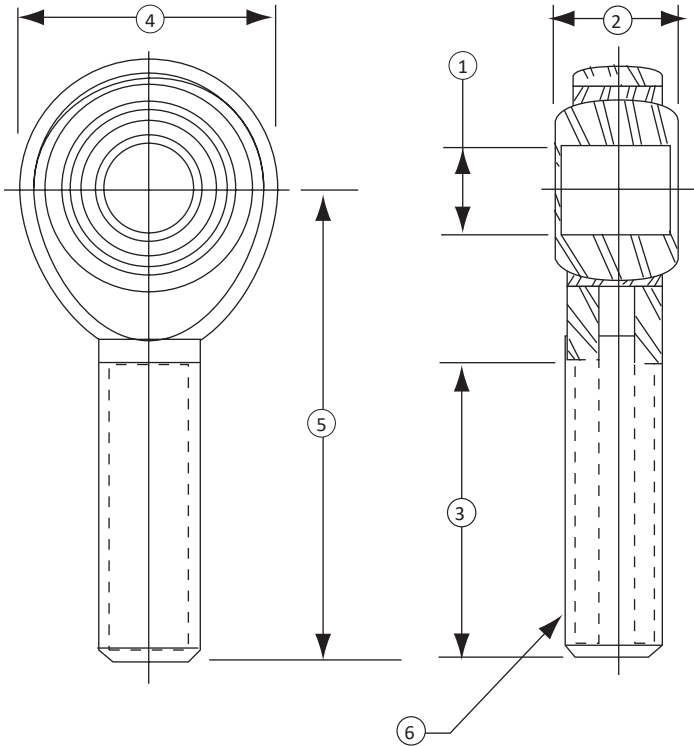


## ROD END BEARINGS (US & METRIC)

### FEATURES & BENEFITS

- For tension applications
- Reduces alignment error
- Metric sizes available

### STANDARD CONFIGURATION



Model REB-104 w/JN-101 & REB-102 w/JN-105 (shown)

### SPECIFICATIONS

MECHANICAL	
Material	Heat Treated Steel

### DIMENSIONS

Model	Application	Jam Nut Included	1		2		3		4		5		6
			us	mm	us	mm	us	mm	us	mm	us	mm	us
REB-104	SM-10 - 250, SSM-50 - 250	JN-101	1/4	6.3500	3/8	9.5250	1	25.400	3/4	19.050	1 9/16	39.6875	1/4-28
REB-106	SM-500, 1000, SSM-500, 1000 SSM-2000, & 3000	JN-102	1/2	12.700	5/8	15.875	1 1/2	38.1000	1 5/16	33.3375	2 7/16	61.9125	1/2-20
REB-101	1110 & 1210-300 - 10K, SSM-5K	JN-103	5/8	15.875	3/4	19.050	1 5/8	41.2750	1 1/2	38.1000	2 5/8	66.6750	5/8-18
REB-102	1120 & 1220-25K, 50K	JN-105	1	25.400	1 3/8	34.925	2 11/32	59.5313	2 3/4	69.8500	4 1/8	104.775	1 1/4-12

**NOTE:** When connecting a ROD END BEARING directly to a LOAD CELL, use of the JAM NUT is recommended.