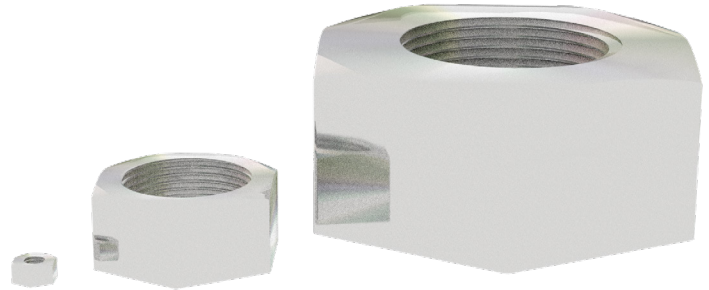


JAM NUTS (US & METRIC)

FEATURES & BENEFITS

- Used with REB's, clevises & calibration adapters
- Flat, parallel surfaces
- Standard thread sizes

STANDARD CONFIGURATION

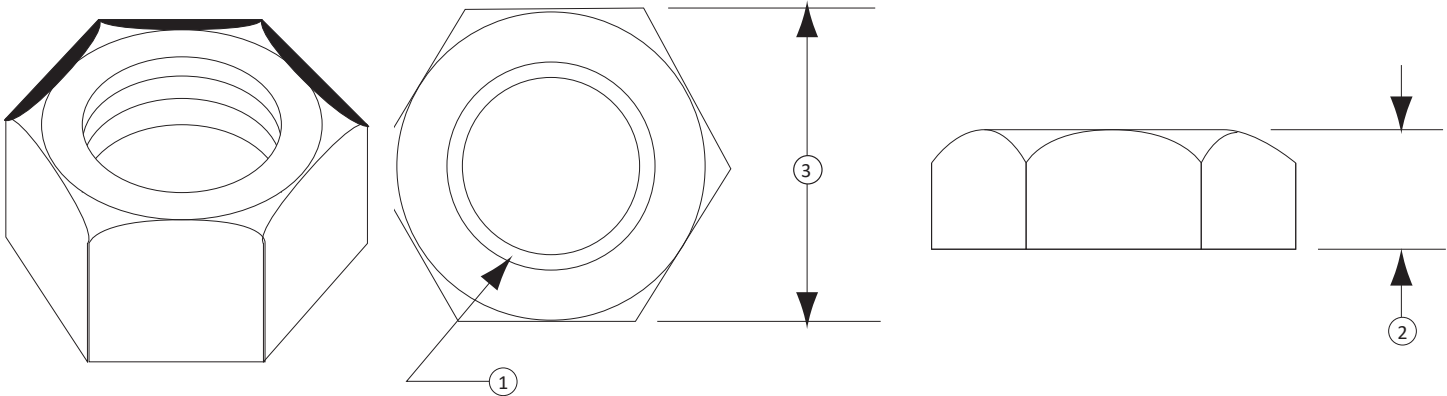


Models JN-101, JN-105, & JN-107 (shown)

SPECIFICATIONS

MECHANICAL

Material Heat treated steel



DIMENSIONS

MODEL	1	2	3
US	in	in	in
JN-101	1/4-28	0.219	0.438
JN-102	1/2-20	0.438	0.750
JN-103	5/8-18	0.547	0.938
JN-104	3/4-16	0.641	1.125
JN-105	1 1/4-12	0.880	1.880
JN-106	1 3/4-12	1.250	2.750
JN-107	2 3/4-8	1.900	4.250
Metric	mm	mm	mm
JN-201	M6X1	5.0	10.0
JN-202	M12X1.75	10.0	19.0
JN-203	M16X2	13.0	24.0
JN-204	M27X2	18.8	47.6
JN-205	M33X2	25.4	57.0
JN-206	M42X2	31.8	70.0
JN-207	M72X2	48.3	110.0