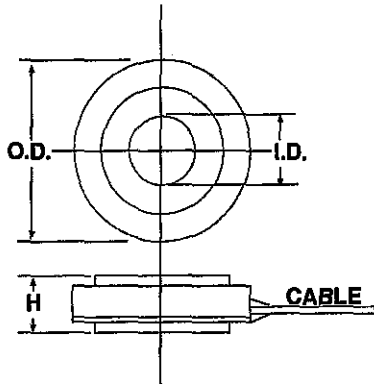
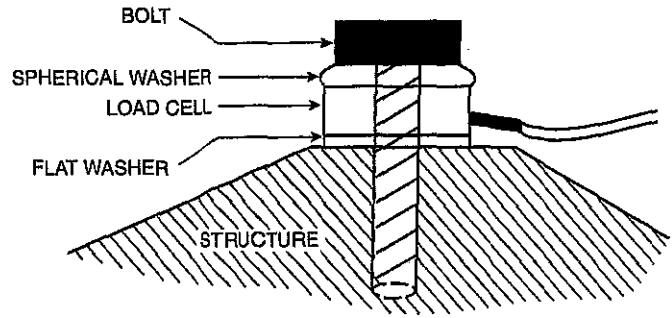


DIMENSIONS



TYPICAL EXAMPLE



INSTALLATION SCHEMATIC

